

Net price

298 €



DESCRIPTION



Capacity: 4 x 460x330



Trays insertion: Cross wise



Dimensions: 587 x 610 x H 570 mm



Control panel: Digital



Indicative quantity of meals: 20



Cooking chamber heating: Electric

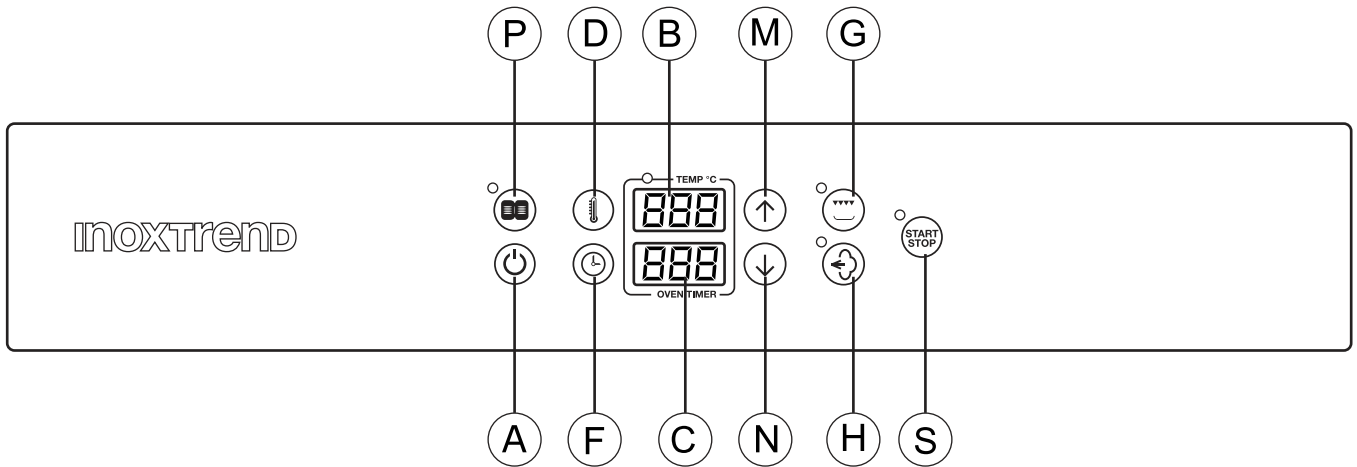


Steam generation: Direct system

COOKING MODES AND FUNCTIONING

	Convection mode	Temperature range between 50 °C and 300 °C
	Convection with humidification Cooking	Temperature range between 50 °C and 300 °C 4 different humidity level selectable
	Salamander	Electric grill with timer
	Automatic programs	99 Automatic programs (1 phase)

COMPONENT DESCRIPTION ON THE ELECTRONIC CONTROL PANEL



(A)	ON/OFF button	(H)	Humidification selection
(B)	Temperature display	(M)	Increase value button
(C)	Time display	(N)	Reduce value button
(D)	Cooking chamber temperature selection	(P)	Automatic programs
(F)	Time selection	(S)	Start/stop button
(G)	Grill selection		

MANUFACTURING FEATURES

- Heating system located on the back side of the cooking chamber;
- Waterproof cooking chamber in stainless steel;
- Cooking chamber with external welding;
- External covering panels made of satin stainless steel;
- Base chassis made of stainless steel AISI;
- Heating elements made of stainless steel Incoloy 800;
- Thermal insulation of the cooking chamber in ceramics fibre;
- Cooking chamber fans made of stainless steel;

OPTIONAL ACCESSORIES

Code	Description
S-33G8	Stand
SG-33G8	Stand with tray-slides

DIMENSIONS

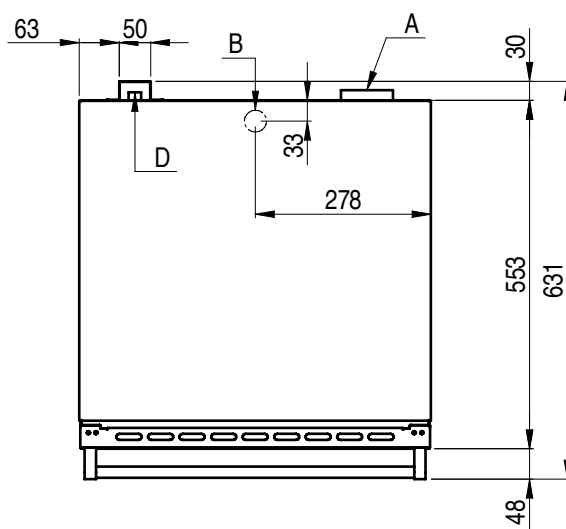
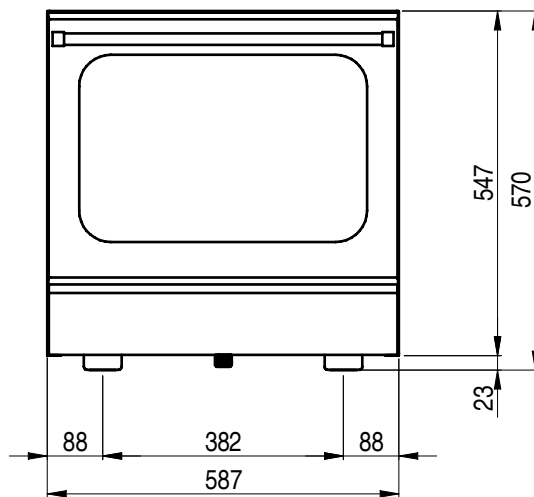
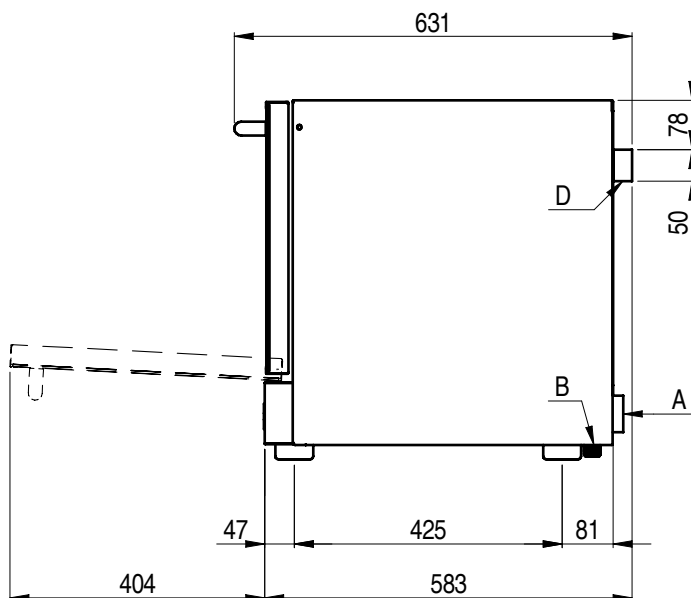
	OVEN	PACKAGE
		Pallet 12 units
Width	587 mm	1.200 mm
Depth (with door handle)	610 mm	1.350 mm
Height	570 mm	2.000 mm
Weight	40 kg	

WATER SUPPLY

Water supply coupling	Ø ¾" gas
Water pressure	1.5 - 2.5 bar
Water hardness	4 - 12 °f = 40 - 120 ppm
Water conductivity	50 e 2000 µS/cm
Chlorine concentr. Cl ₂	< 0.2 mg/litre
Chloride concentration	<150 mg/litre
Water drain coupling	--

POWER SUPPLY

Model	GUP-404ES
Power loading	3.5 kW
Chamber power	2.8 kW
Grill power	0.7 kW
Power of the motors	n° 2 x 50 W
Max. power loading	3.3 kW
Voltage	220-240 V 1N ~ 50/60 Hz
Absorbed current	5.0 A
Feed cable section	Electric cable included
Capacity	4 x 460x330
Pitch between trays	70 mm



- A Electrical cables connection
- B Water inlet Ø 3/4" gas
- D Cooking chamber release valve